

# BERT

## ASSEMBLY & INSTALLATION INSTRUCTIONS

INFO@PABLODESIGNS.COM  
888 MARIN STREET  
SAN FRANCISCO, CA  
94124

PABLODESIGNS.COM



APPROVED COMPONENTS

# Pablo® BERT

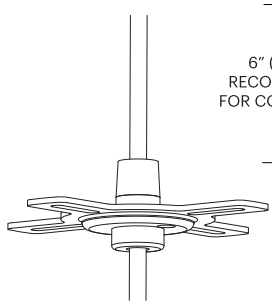
1. LOOSEN STRAIN RELIEF CAP AND FEED CORD THROUGH
2. TIGHTEN STRAIN RELIEF AT DESIRED HEIGHT AND ATTACH MOUNTING PLATE TO JUNCTION BOX
3. CUT CORD AND CONNECT LAMP WIRING TO BUILDING WIRING
4. SLIDE COVER UP TO CEILING

**BULB TYPE**  
1X 6.5W WARM WHITE MEDIUM BASE - LED

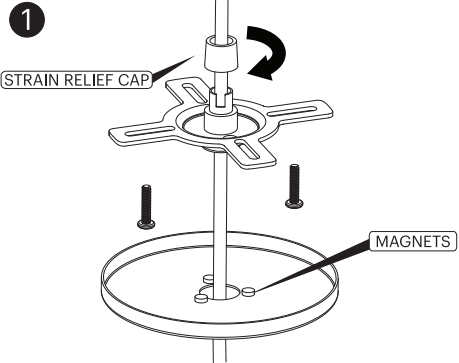
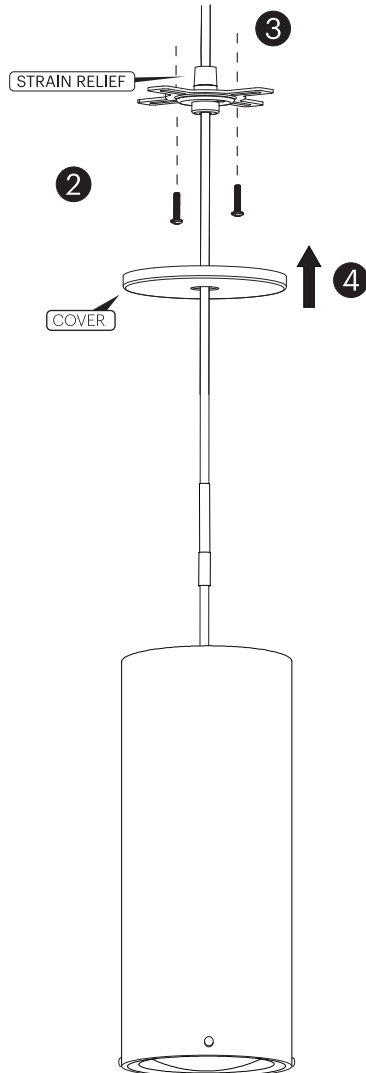


**CARE INSTRUCTIONS**  
WIPE CLEAN WITH A SOFT DAMP CLOTH.  
AVOID AMMONIA-BASED CLEANERS.

6" (152MM)  
RECOMMENDED  
FOR CONNECTION



**IMPORTANT: WE RECOMMEND CEILING MOUNTING  
BE INSTALLED BY AN ELECTRICIAN**



# Pablo® BERT

- 1 SEAT STEM INTO LAMP ASSEMBLY

