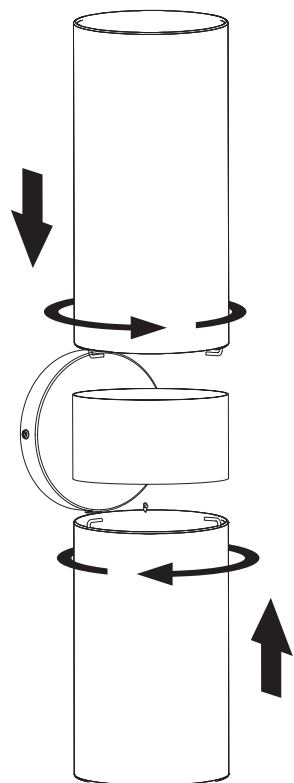


Option B: Continued

Hardwire mounting

5

Attach the upper and lower shades to the sconce by inserting the three metal tabs on each shade into the corresponding slots in the sconce. Twist the shades while applying force towards the sconce to lock the metal tabs into the attachment plates.



6

Screw in both light bulbs before turning on the power at the circuit breaker.

SPECIAL CONSIDERATIONS:

If you remove the sconce's power cord and hardwire mount the sconce to an existing electrical box, consider saving the unused cord for future use.

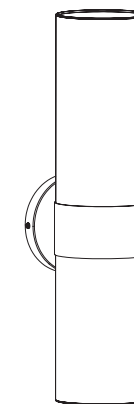
This wall sconce is dimmable, however, not all light bulbs are dimmable or will dim in the same manner. Order replacement bulbs at roomandboard.com

Room&Board

ASSEMBLY INSTRUCTIONS

Keep these instructions for future use

CEDRIC WALL SCONCE



CAUTION:

- It is strongly recommended that hardwire installation of this product is done by a professional.
- READ these safety instructions entirely prior to installation.
- DO NOT BEGIN INSTALLATION UNTIL ALL ELECTRICAL POWER TO THE INSTALLATION SITE HAS BEEN TURNED OFF AT THE CIRCUIT BREAKER!

RECOMMENDED TOOLS AND MATERIALS:

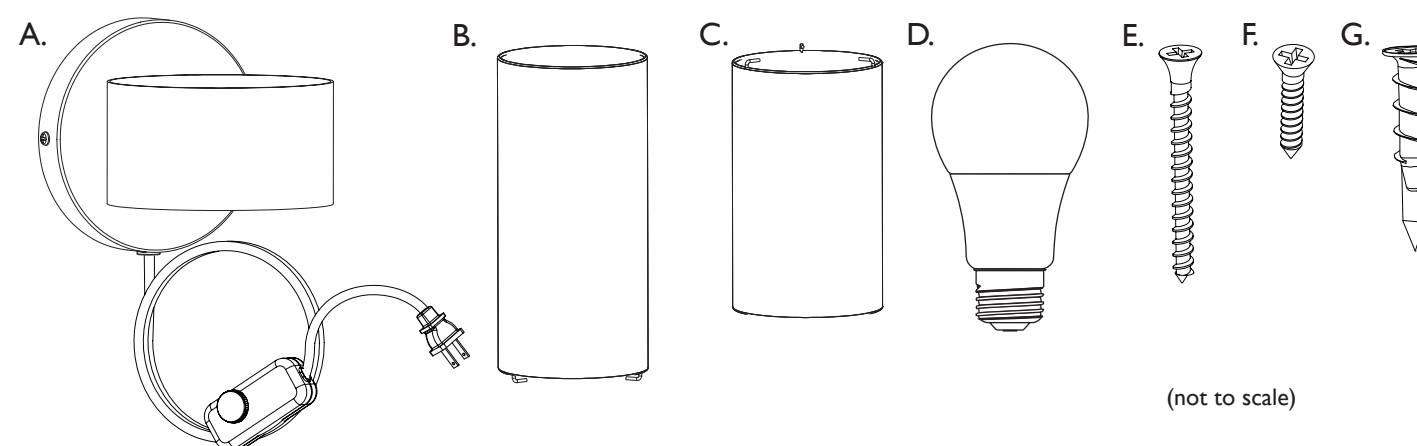
Power Drill
1/16" Drill Bit

Phillips screwdriver
Level

Pencil
Electrical tape

Pliers

THIS PRODUCT INCLUDES:



(not to scale)

A. - Cedric sconce assembly
B. - Upper lamp shade
C. - Lower lamp shade
D. - LED bulb (X2)

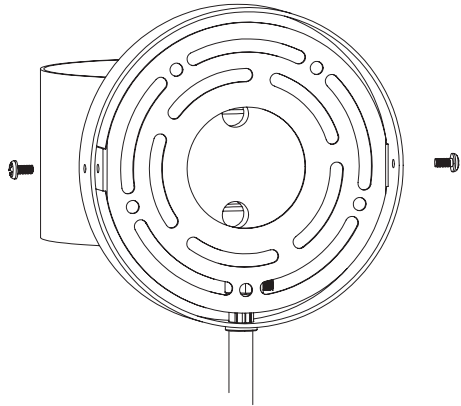
E. - Wood screws (X2)
F. - Mounting screws (X2)
G. - Drywall anchor (X2)

Option A: Mounting to a wall near an outlet

If you intend to hardwire this sconce to an existing junction box, proceed to option B

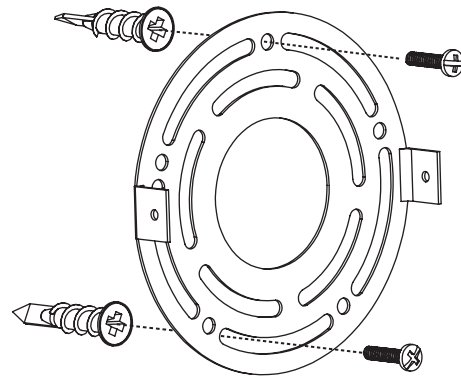
1

Detach the mounting plate from the back of the sconce assembly by removing the two side screws.



2

Choose where to mount your sconce, ensuring the power cord will reach the outlet you intend to use. Hold the wall mounting plate against the wall and use a level to ensure the plate is vertically aligned. Mark the location of the two screw holes with a pencil.

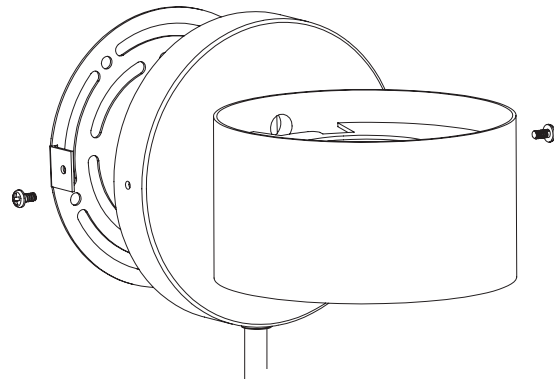


3

Remove the wall-mounting plate from its intended location. If you are mounting to drywall, use a power drill with a 1/16" drill bit to create pilot holes at the two screw marks. Screw the wall anchors into the holes until they are flush with the surface of the wall. Align the wall-mounting plate to the anchors and attach the mounting screws through the plate and into the anchors. *If you are mounting to a surface other than drywall, alternative hardware may be required - wood screws are provided for stud-mounting.*

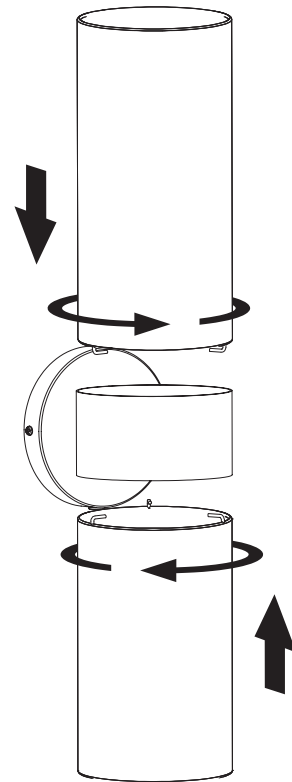
4

Reattach the sconce assembly to the mounting plate with the two side screws you previously removed.



5

Attach the upper and lower shades to the sconce by inserting the three metal tabs on each shade into the corresponding slots in the sconce. Twist the shades while applying force towards the sconce to lock the metal tabs into the attachment plates.



6

Screw in both light bulbs before plugging in the lamp.

Option B: Hardwire/Cordless Mounting

Use this option if you intend to mount this sconce to an existing junction box.

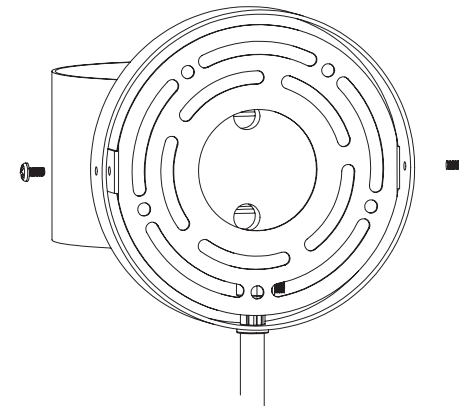


CAUTION:

DO NOT BEGIN INSTALLATION UNTIL ALL ELECTRICAL POWER TO THE INSTALLATION SITE HAS BEEN TURNED OFF AT THE CIRCUIT BREAKER!

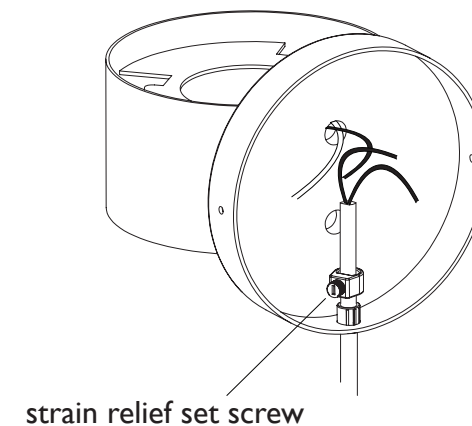
1

Detach the mounting plate from the back of the sconce assembly by removing the two side screws.



2

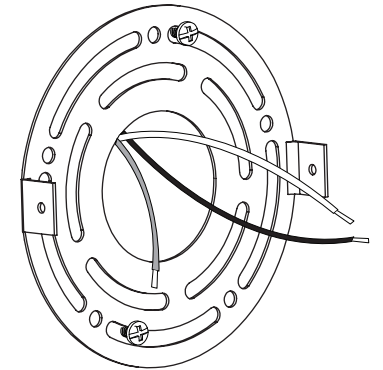
Use pliers to remove the plastic wire nuts on the back of the sconce. This disconnects the included power cord from the fixture, which you will not need when hardwiring this sconce. Loosen the plastic set screw on the strain relief to pull out the power cord from the bottom of the sconce.



strain relief set screw

3

Feed the wires from the existing junction box through the center of the mounting plate. Then use the provided mounted screws to attach the mounting plate to your existing junction box. If you have a green ground wire, this wire can be connected directly to your junction box.



4

Use wire nuts to twist together the junction box wires and their corresponding wires on the sconce. Reattach the sconce assembly to the mounting plate with the two side screws you previously removed.

