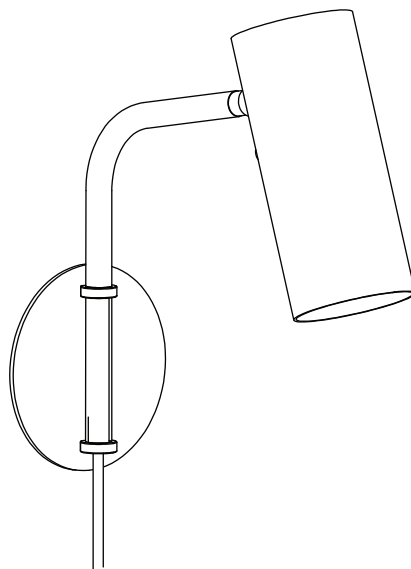


CHRONICLE WALL SCONCE



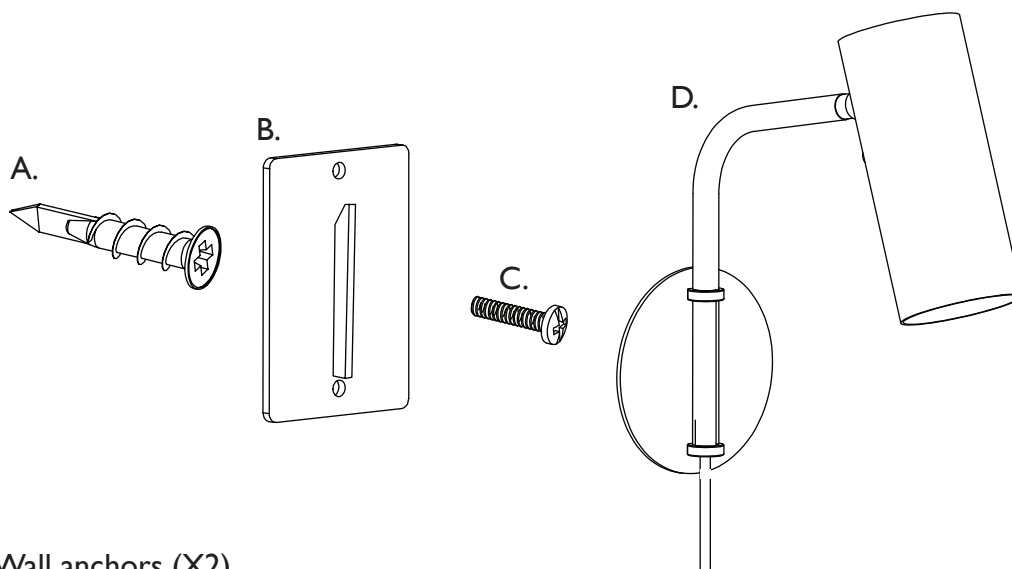
RECOMMENDED TOOLS AND MATERIALS:

Pencil
1/16" Drill bit

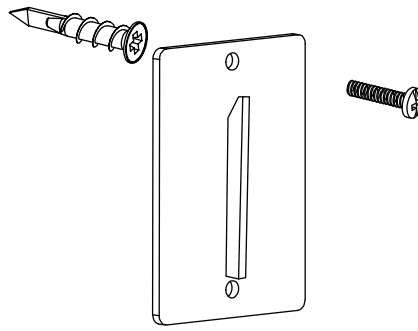
#2 Phillips screwdriver
Power drill

Level
5/8" Wrench

THIS PRODUCT INCLUDES:



- A. - Wall anchors (X2)
- B. - Mounting plate
- C. - Machine screws (X2)
- D. - Chronicle wall sconce assembly



1

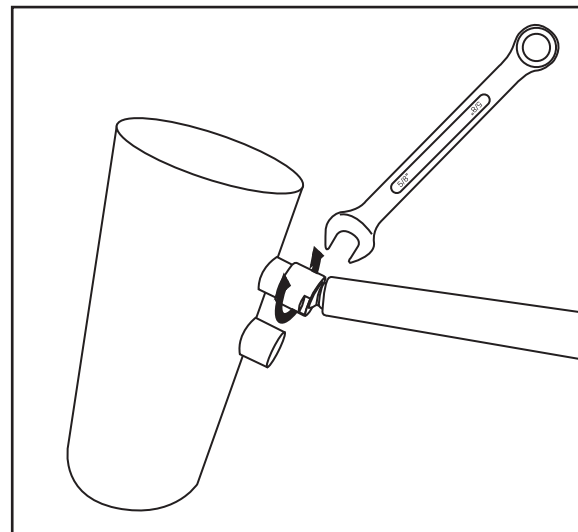
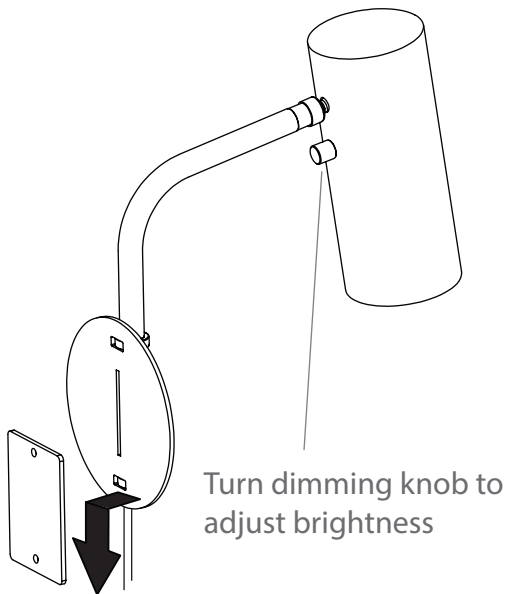
Hold the mounting plate to your wall in the desired location. Use a level to ensure the mounting plate is vertical. Then use a pencil to mark your wall through the two screw holes on the mounting plate.

2

With a power drill, use a 1/16" drill bit to drill pilot holes at your marks. Then use a screwdriver or power drill to screw the wall anchors into your predrilled holes. Be sure to drill the anchors in fully so they are flush with the wall before continuing to the next step.

3

Place and hold the mounting plate over the wall anchors so the two screw holes align with the wall anchors. The mounting plate should be positioned so the protruding cleat points upward. Using a #2 Phillips screwdriver, insert the machine screws through the mounting plate and into the wall anchors. Tighten the screws fully until the mounting plate is flush and firmly mounted to the wall.



4

Slide the Chronicle wall sconce assembly downward over the mounting plate. The protruding cleat of the mounting plate should lock into the vertical slot at the back of the sconce assembly.

SPECIAL CONSIDERATIONS:

If mounting this sconce to a wall surface material other than drywall, alternative hardware might be necessary. Consult a professional if you have any questions regarding proper installation.