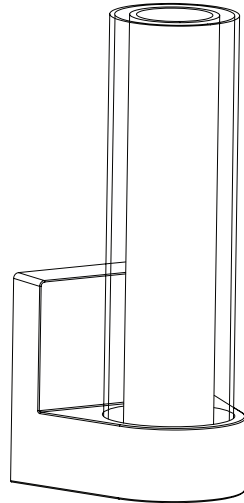


DAMBEY WALL SCONCE



CAUTION:

- It is strongly recommended that installation of this product is done by a professional.
- READ these safety instructions entirely prior to installation.
- DO NOT BEGIN INSTALLATION UNTIL ALL ELECTRICAL POWER TO THE INSTALLATION SITE HAS BEEN TURNED OFF AT THE CIRCUIT BREAKER!

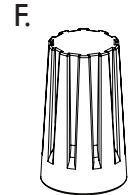
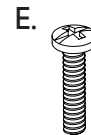
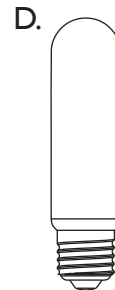
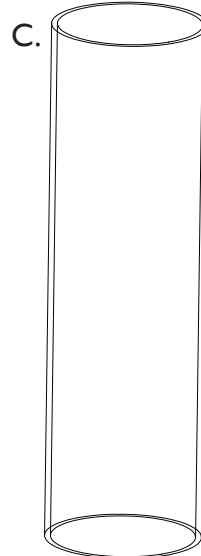
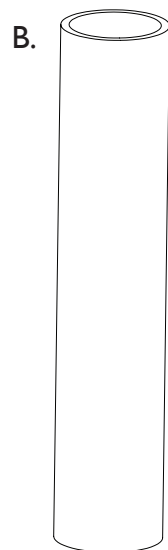
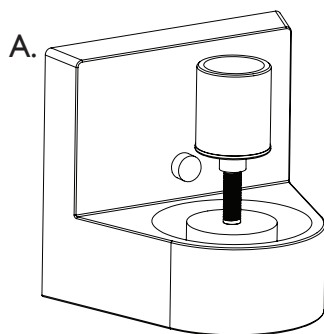
RECOMMENDED TOOLS AND MATERIALS:

Phillips screwdriver
Wire strippers

Level
Electrical tape

Wire cutters

THIS PRODUCT INCLUDES:



(hardware not to scale)

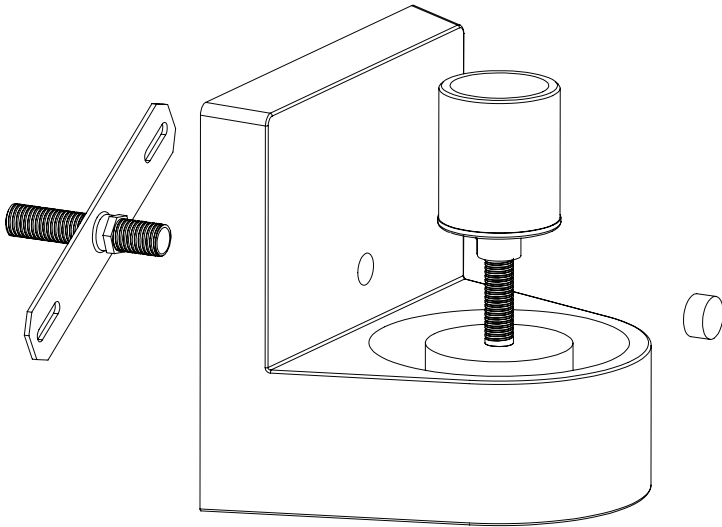
- A. - Wood sconce base
- B. - White glass cylinder
- C. - Clear glass cylinder

- D. - LED light bulb
- E. - Mounting screws (X2)
- F. - Wire nuts (X2)

NOTE: This sconce is designed for hardwire mounting to an existing wall sconce junction box and wall switch only. If you do not have an existing junction box and corresponding wall switch, have them installed by a licensed professional.

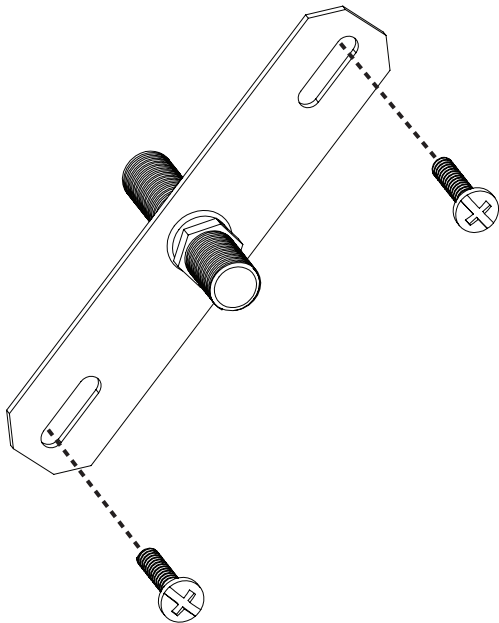
1

Remove the steel crossbar assembly from the back of the wood sconce base by unscrewing the threaded cap from the front of the base.



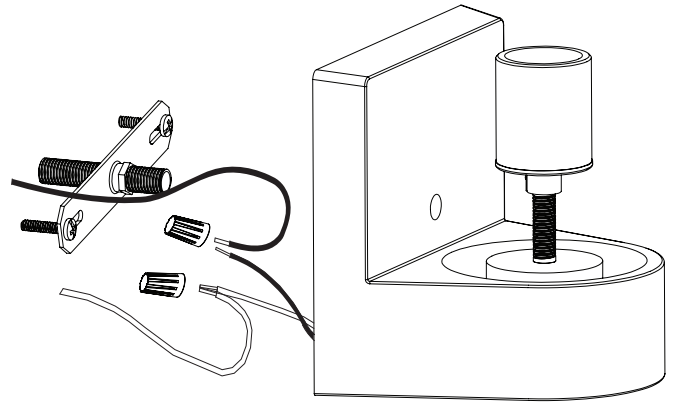
2

Use the provided mounting screws to mount the crossbar assembly to the junction box at the installation site. The crossbar assembly can be mounted in any orientation.



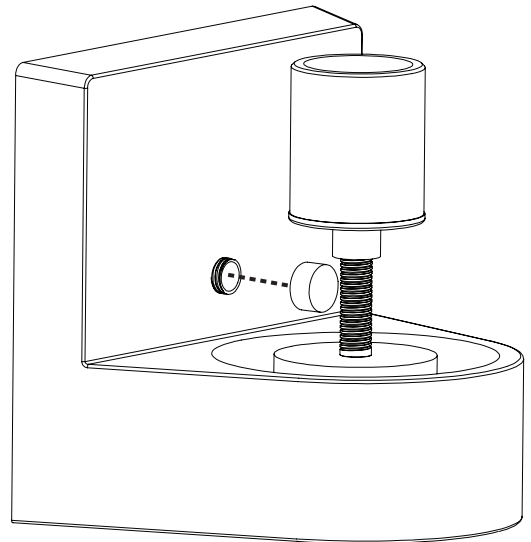
3

Use the included wire nuts to twist together the white and black wires from the wall sconce to their corresponding wires in the junction box. If a green ground wire is present, it can be screwed directly to the crossbar with the included green ground screw.



4

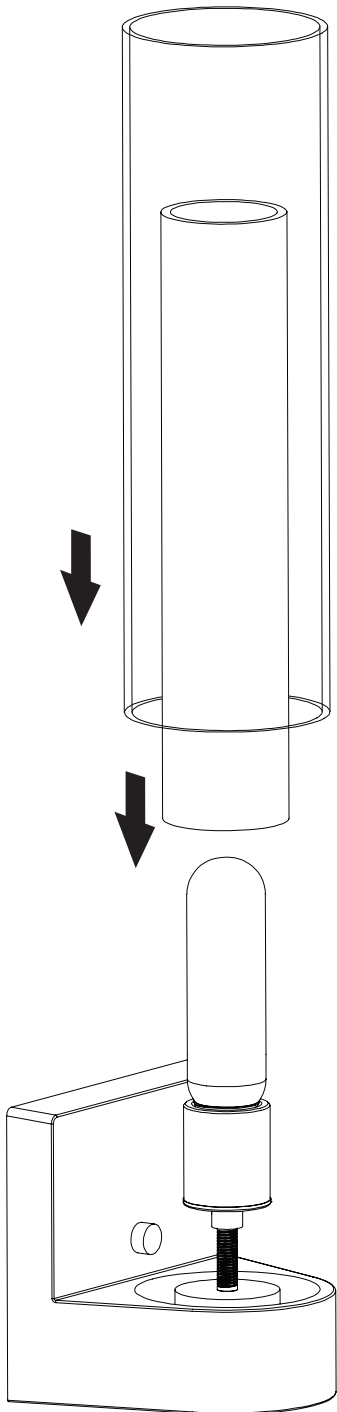
Slide the wood wall sconce base onto the threaded rod of the crossbar assembly. Carefully tuck in all excess wire to avoid pinching it between the wall sconce and the wall. Then, use the previously removed threaded cap to fasten the wood wall sconce base to the crossbar assembly. Use a level to make sure the base is perfectly level.



5

Screw in the included LED light bulb before sliding the white glass cylinder down over the bulb. Next, slide the clear glass cylinder over the white glass cylinder.

NOTE: Each glass cylinder is unique and irregularly shaped. Typically, the glass cylinders fit more snugly in one orientation or the other. Insert the cylinders in both directions to determine the best fit. Cylinders are designed to have a loose fit.



SPECIAL CONSIDERATIONS:

If you prefer to use a different light bulb than the LED bulb included, any standard T10 shape, E26 socket light bulb (max 40 watts) can be used instead.

Note: Other bulbs may produce more heat, use caution when touching the glass cylinders.

