

Room&Board®

HOME FURNISHINGS

ASSEMBLY INSTRUCTIONS

For MODA, POGO, DAYTON, PEPIN Bed and Bunk Bed

DO NOT USE POWER TOOLS!

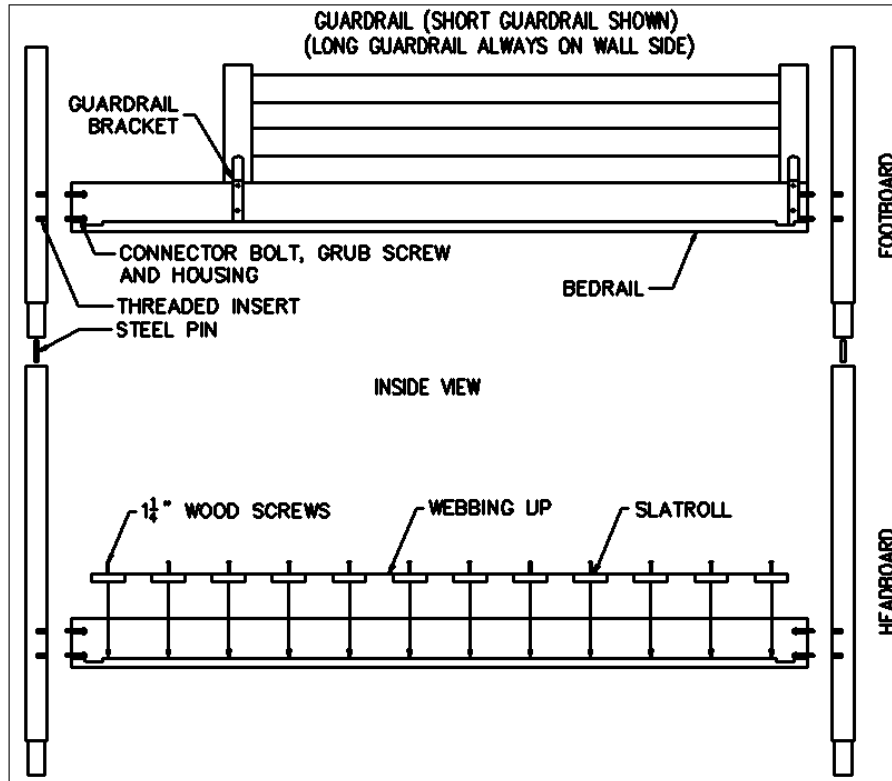


Figure 1: Bunk Bed Assembly Steps 1-11

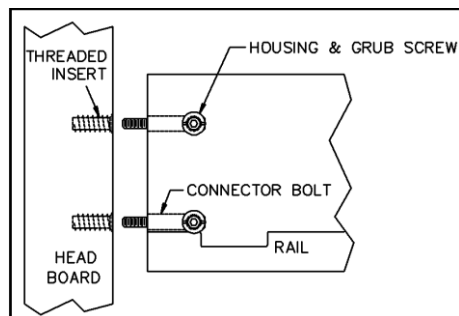


Figure 2: Bedrail Attachment

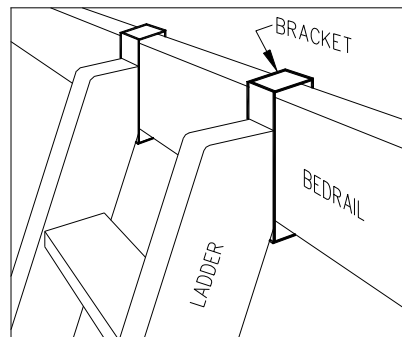


Figure 3: Angled Ladder Attachment

Step 1: Assemble the lower section of the bunk bed first. Use the **2 Headboards** as the end panels of the bottom bed.

Begin here for Twin Bed Assembly. Step 2-4, Figure 2, Steps 9 & 11.

Step 2: On the end panels, screw a **Connector Bolt** into each of the threaded inserts completely. Back it off slightly in order to make the through-hole in the bolt horizontal. (The Connector Bolts do NOT need to be completely tightened.)

Step 3: Place one **Steel Housing** into each of the holes in the side of a Bedrail. Align connector bolts with the holes on the end of the **Bedrail**, slipping bolts through pre-drilled holes in the Bedrail and into the Housings.

Step 4: Place a **Grub Screw** inside each Housing, and use the **Allen wrench** to tighten the Grub Screw. Repeat with the other Bedrail on the same end panel, and then repeat Steps 3 & 4 for the opposite end panel. (For twin bed alone, Adhesive Tabs are provided to cover the holes on top of the Headboard.)

Step 5: Insert **Steel Pins** into the holes on top of the Headboards.

Step 6: Using the **Footboards** as end panels, assemble the upper bed by attaching the Bedrails in the same manner as Steps 2-4 above.

Step 7: Lift the upper bed, and place on top of the Steel Pins. Push down until the bottom of the Footboard is resting on top of the Headboard.

Step 8: Place the **Long Guardrail** on the wall side of the bed so that the brackets are on the inside of the Bedrail, and attach each bracket with **2 Screws**. Place the **Short Guardrail** on the front Bedrail against one of the Footboards. (This allows an opening for the Ladder at the other end.) Screw the Short Guardrail brackets to the inside of the Bedrail.

Step 9: Unroll and lay the **Slatroll** inside the Bedrails, with the webbing facing up. With the **24 Wood Screws** provided, use a Phillips-head screwdriver to attach the slats. The first slat must be 2 inches from the end of the Bedrail. Pull the Slatroll taut and secure the other end 2 inches from the end of the Bedrail on that side; then secure all other slats. The slats should be centered between the Bedrails, with a 1/8" gap between the end of the slat and the Bedrail. This permits the Guardrail bracket to slip in between the slat and the Bedrail.

Continue to step 10 on next page...

Step 10: Attach the **Ladder**. **For Flat** Ladder, set notch on bottom bedrail and loosen top bracket. Set bracket against bedrail and tighten. **For Angled Ladder**, hook the bracket over the Bedrail (Fig. 3).

Step 11: Mattress may be placed with or without a platform board on Slatroll.

Use only mattress which is 74"-75" long and 37 ½"-38 ½" wide on upper bunk. Ensure thickness of mattress and foundation combined does not exceed 7" and surface of mattress is at least 5" below upper edge of guardrails.

Replacement parts, including additional guardrails, may be obtained from any Room & Board store.

SAFETY WARNINGS

Follow the information on the warnings appearing on the upper bunk end structure and on the carton. Do not remove warning label from bed.

Always use the recommended size mattress or mattress support, or both, to help prevent the likelihood of entrapment or falls.

Surface of mattress must be at least 5 in. (127 mm) below the upper edge of guardrails.

Do not allow children under 6 years of age to use the upper bunk.

Periodically check and ensure that the guardrail, ladder and other components are in their proper position, free from damage and that all connectors are tight.

Do not allow horseplay on or under the bed and prohibit jumping on the bed.

Always use the ladder for entering and leaving upper bunk.

Do not substitute parts. Contact the manufacturer or dealer for replacement parts.

Use of a night light may provide added safety precaution for a child using an upper bunk.

Always use guardrails on both long sides of the upper bunk. If the bunk bed will be placed next to a wall, the guardrail that runs the full length of the bed should be placed against the wall to prevent entrapment between the bed and the wall.

The use of water or sleep flotation mattresses is prohibited.

Prohibit more than one person on upper bunk.

STRANGULATION HAZARD-- Never attach or hang items to any part of the bunk bed that are not designed for use with the bed; for example, but not limited to, hooks, belts and jump ropes.

Keep these instructions for future reference.

Maintenance: Periodically check to make sure all screws, bolts and fastening devices are tight.

Cleaning: Mix a mild solution of gentle dishwashing liquid and water, apply to surface using a soft, clean cloth, then dry all surfaces with a soft, dry cloth. **NO ABRASIVES, SCOURING PADS, STEEL WOOL, OR COARSE RAGS** should be used to clean this fine furniture.

PARTS FOR TWIN OR FULL BED

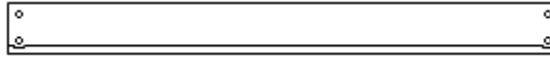
1 – HEADBOARD



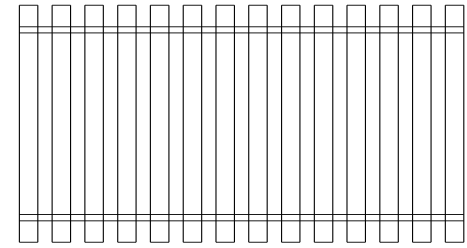
1 – FOOTBOARD



2 – BEDRAILS



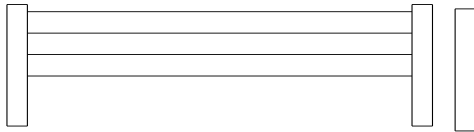
1 – SLATROLL



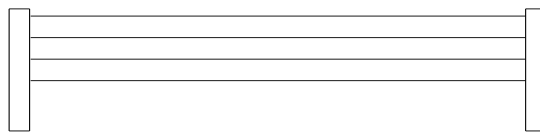
PARTS FOR A BUNK BED – 2 SETS OF THE ABOVE PLUS THE FOLLOWING

1 – SHORT GUARDRAIL

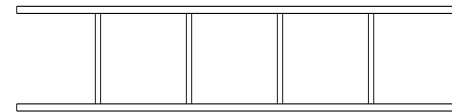
(screws enclosed in cardboard pad on bracket)



1 – LONG GUARDRAIL

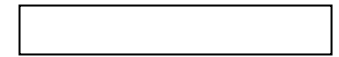


1 – LADDER



4 – STEEL PINS

(wrapped with Ladder)

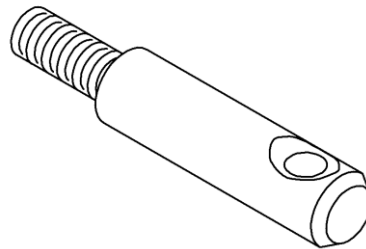


HARDWARE FOR TWIN OR FULL BED – (2 SETS FOR A BUNK BED)

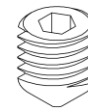
8 – STEEL HOUSINGS



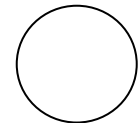
8 – CONNECTOR BOLTS



8 – GRUB SCREWS



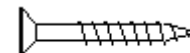
ADHESIVE TABS
(2 of each available color)



1 – ALLEN WRENCH



24 – WOOD SCREWS FOR SLATROLL (1 1/4")



PHILLIPS-HEAD SCREWDRIVER

TOOL NOT INCLUDED